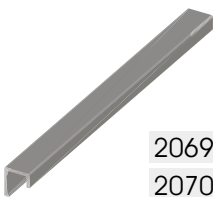
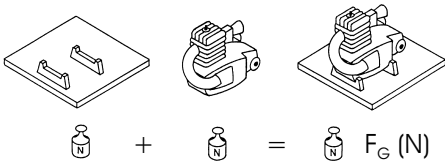
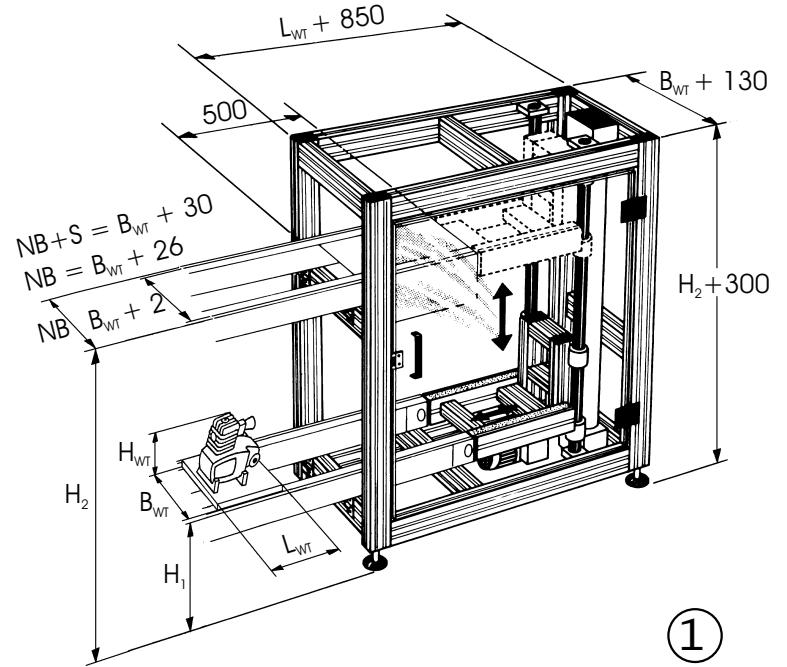
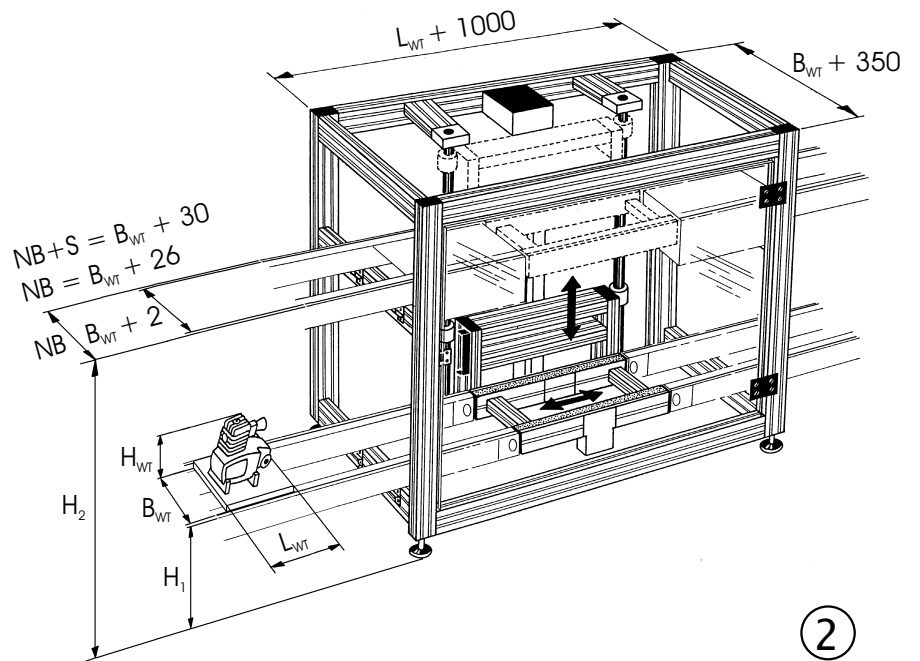




Lift
Lift
Elévateur
Elevatore/Discensore
Ascensor-Descensor



2069 (2.8.2)	<input type="checkbox"/>	<input checked="" type="checkbox"/>
2070 (2.8.2)	<input type="checkbox"/>	<input type="checkbox"/>



L_{wt}		mm
B_{wt}		mm
H_{wt}		mm
F_c		N
H_1		mm
H_2		mm
t_{wt}		sec

①	2110	<input type="checkbox"/>
②	2111	<input type="checkbox"/>