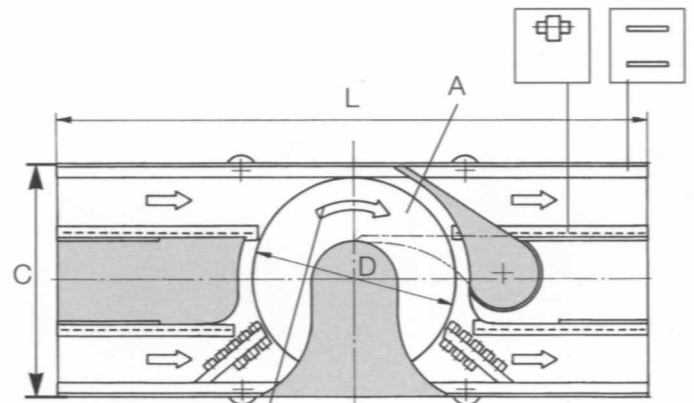
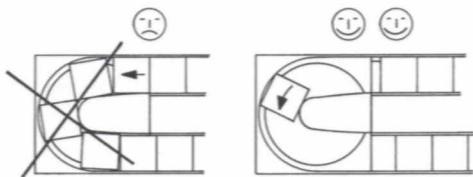
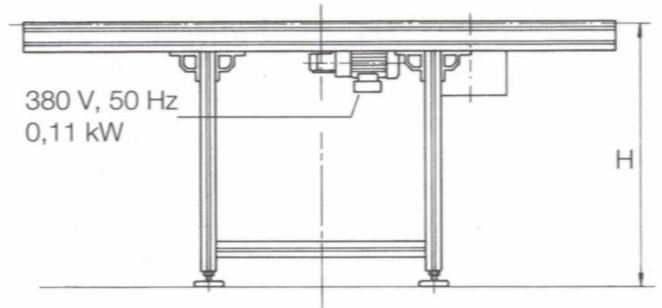
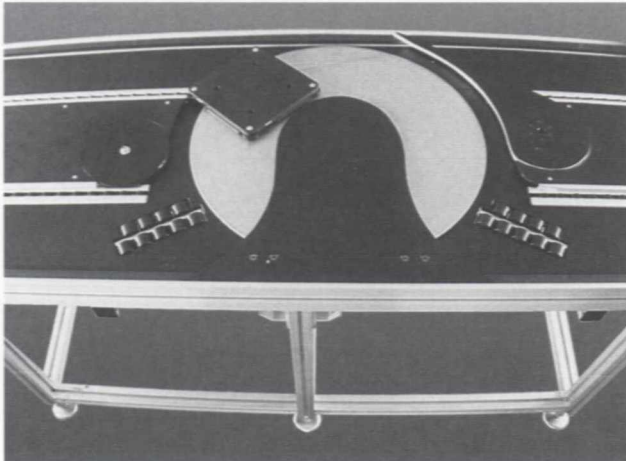




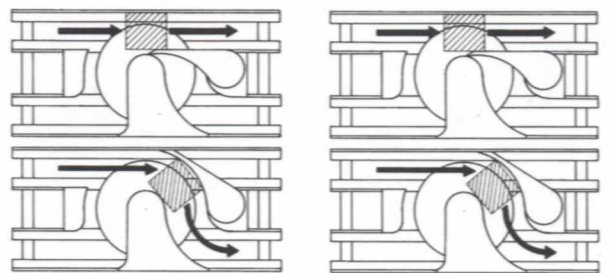
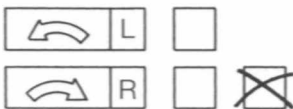
Schleppteller-Kreuzung 0° (⇔ ×)
Crossing by transportation disk
Croisée de direction pour plateau remorqué
Crocera della ruota di azionamento
Plato de arrastre - cruce



$V \approx 6 / 9 / 12 / 18 \text{ m/min}$



$F_G + F_G = F_G$ (N)
 $F_G \text{ max.} = 500 \text{ N}$



L_{WT}		mm
B_{WT}		mm
F_G		N
H		mm
L		mm
v		m/min

D (mm)	*) L_{WT} / B_{WT} (mm) $B_{WT} \leq L_{WT}$	*) C (mm)	L	
680	240...320 x 240...320	800	2000	2422
800	320...400 x 320...400	960	2500	2423
1000	400...500 x 400...500	1160	2500	2424

*) Andere Abmessungen auf Anfrage / other measurements for inquiry / Autres dimensions sur demande / Altre misure a richiesta / Consultar otras medidas
 A Stahl, verchromt / Steel chromium plate / Acier chromé / Acciaio cromato / Acero cromado