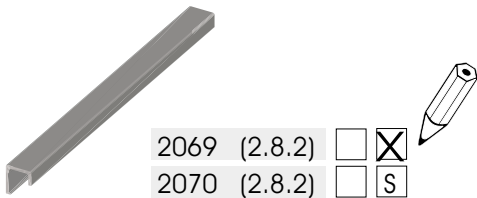
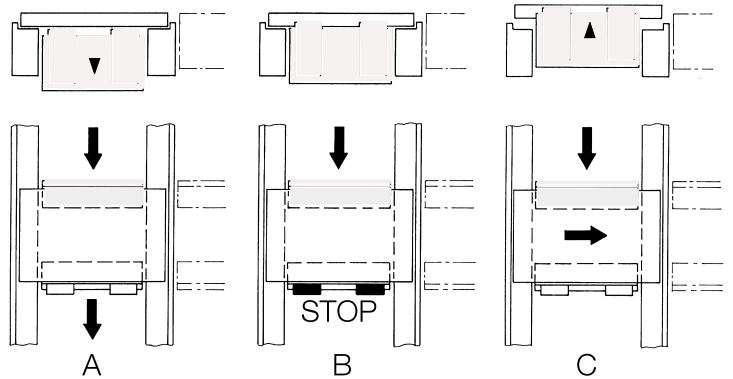
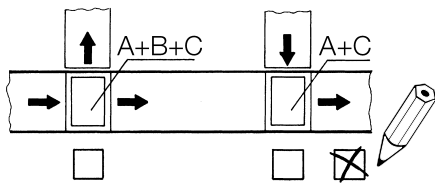
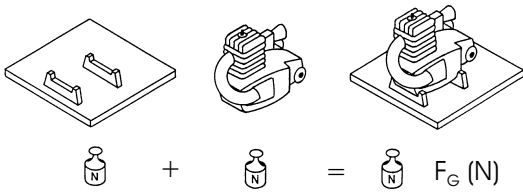
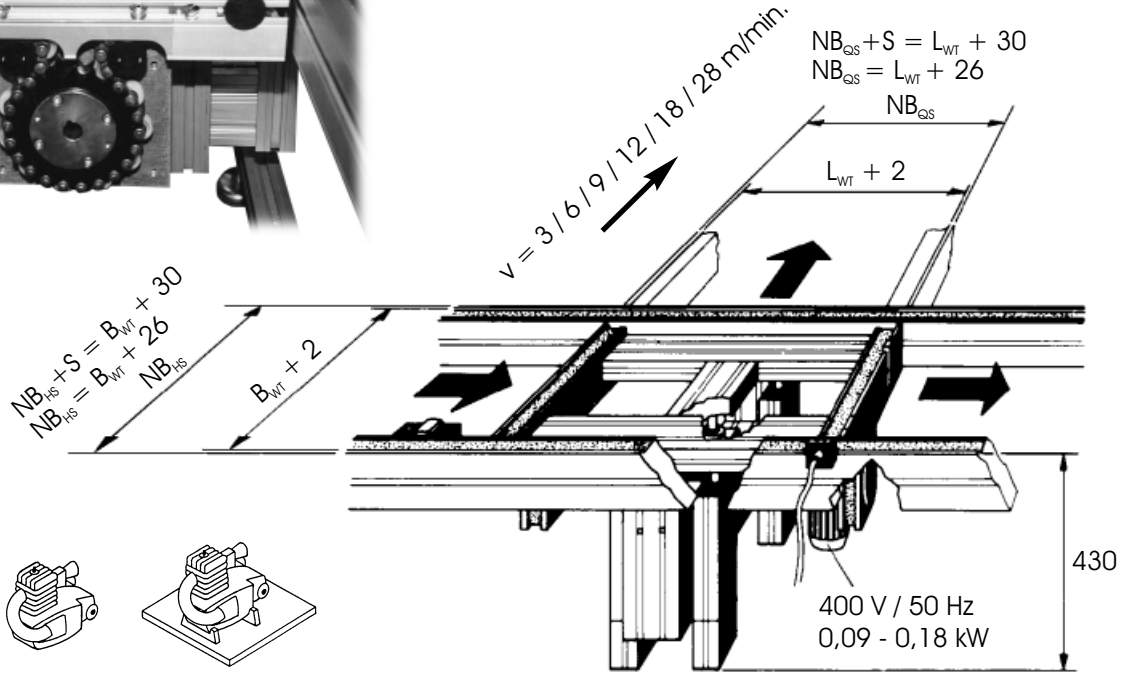
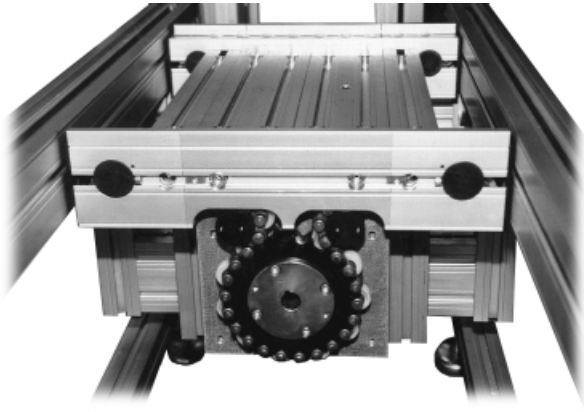




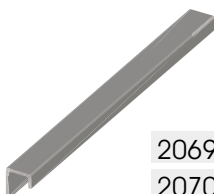
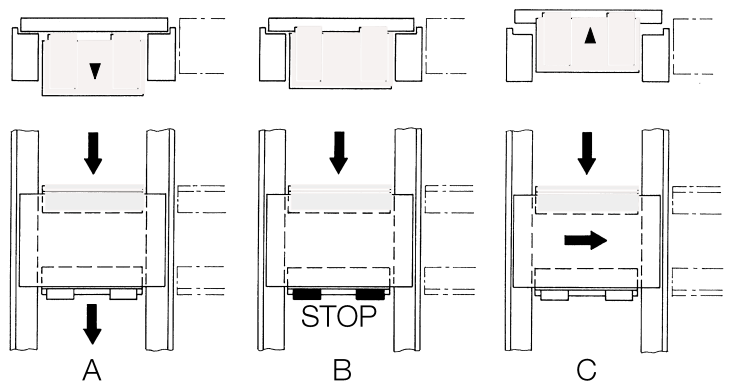
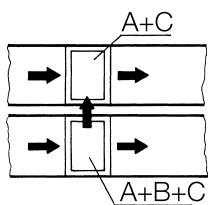
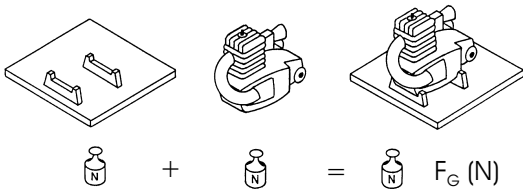
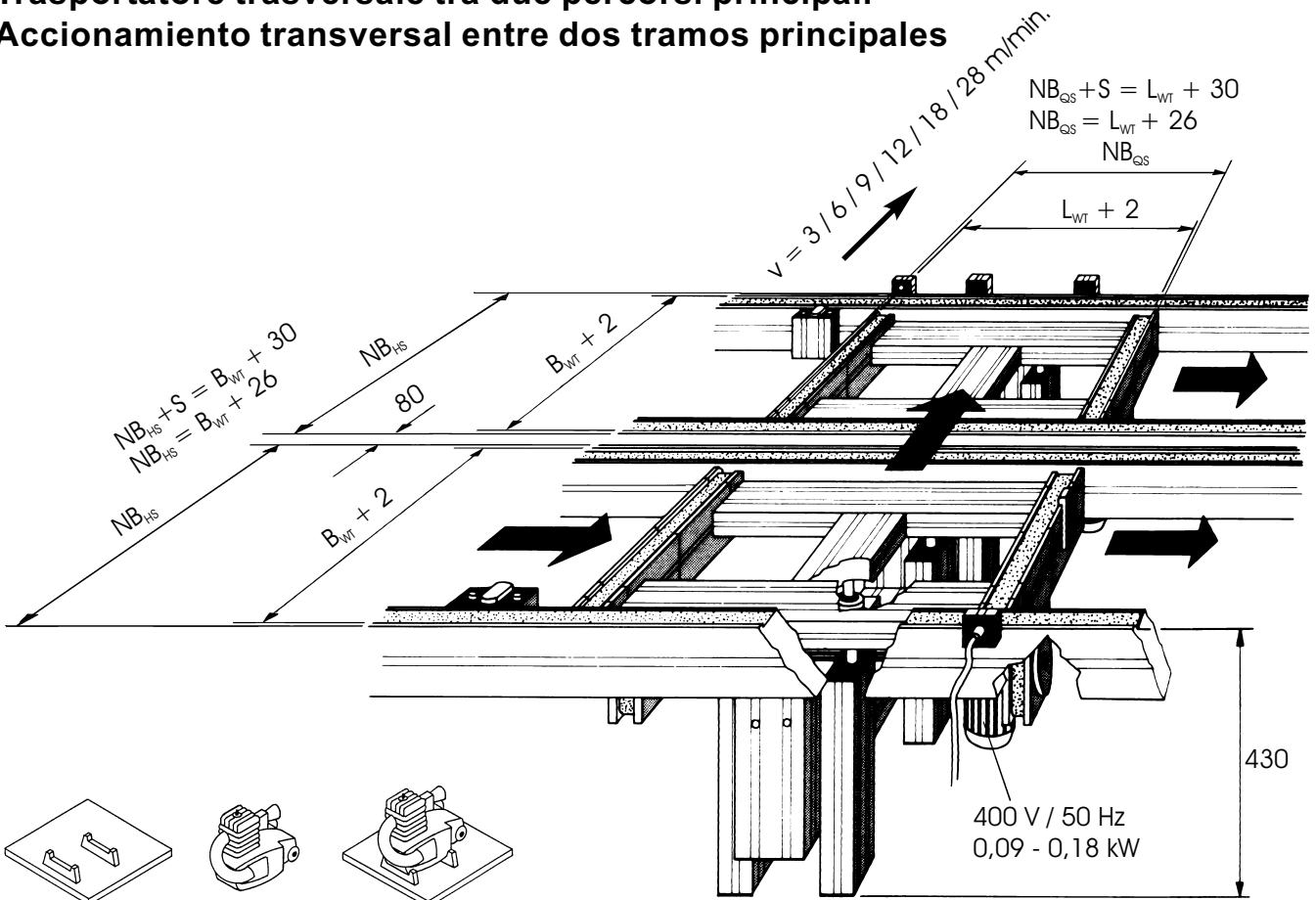
Querförderer in einer Hauptstrecke
Transverse conveyor within a longitudinal conveyor
Convoyeur transversale dans un segment principale
Trasportatore trasversale in un percorso principale
Accionamiento transversal en un tramo principal



L_{WT}	mm	<input type="checkbox"/> <input checked="" type="checkbox"/>	(2.1.1)	2200	<input type="checkbox"/>
B_{WT}	mm	<input type="checkbox"/> <input checked="" type="checkbox"/>	(2.1.1)	2210	<input type="checkbox"/>
F_G	N	<input type="checkbox"/> <input checked="" type="checkbox"/>	(2.1.1)	2220	<input type="checkbox"/>
v	m/min	<input type="checkbox"/> <input checked="" type="checkbox"/>	(2.1.1)	2230	<input type="checkbox"/>



Querförderer zwischen zwei Hauptstrecken
Transverse conveyor between two longitudinal conveyors
Convoyeur transversale dans deux segments principale
Trasportatore trasversale tra due percorsi principali
Accionamiento transversal entre dos tramos principales



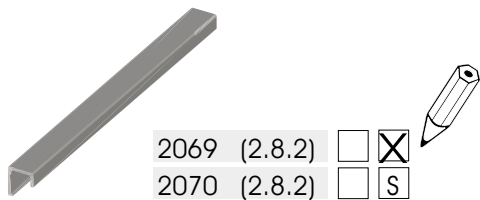
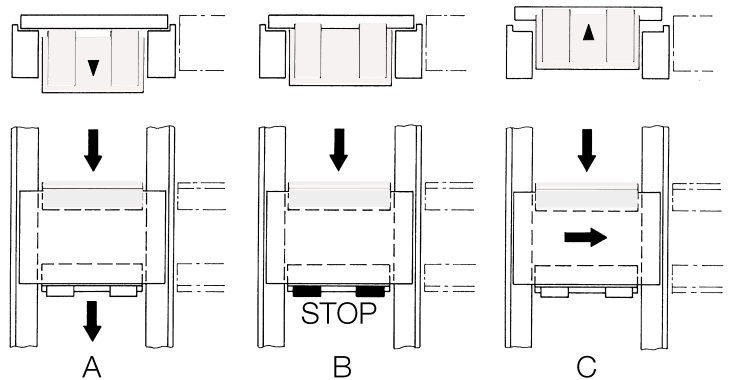
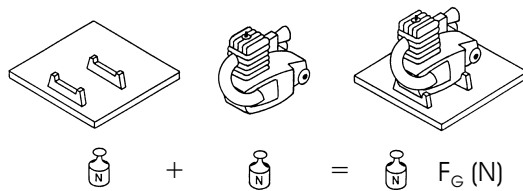
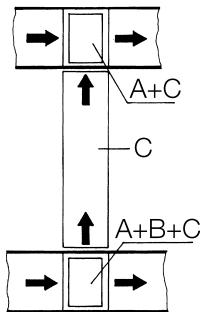
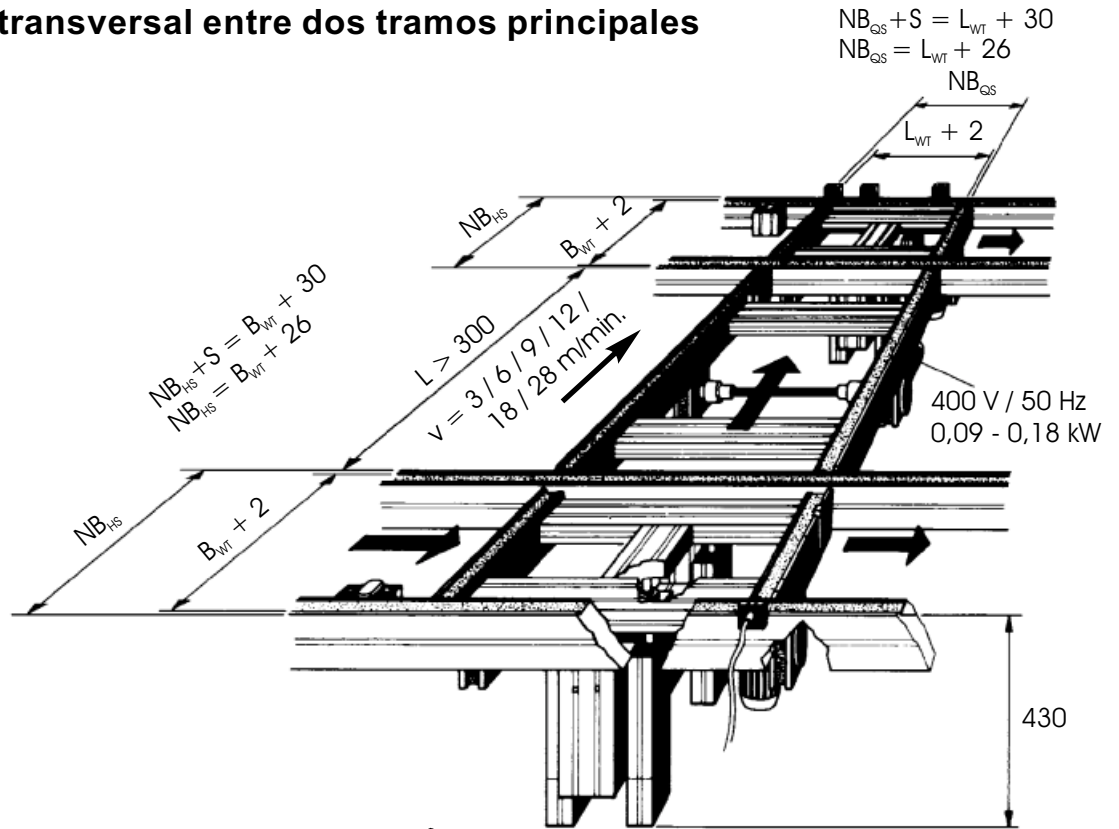
2069 (2.8.2)	<input type="checkbox"/>	<input checked="" type="checkbox"/>
2070 (2.8.2)	<input type="checkbox"/>	<input type="checkbox"/>

L_{WT}	mm
B_{WT}	mm
F_G	N
v	m/min

<input type="checkbox"/>	<input type="checkbox"/>	(2.1.1)	2280	<input type="checkbox"/>
<input type="checkbox"/>	<input type="checkbox"/>	(2.1.1)	2290	<input type="checkbox"/>
<input type="checkbox"/>	<input type="checkbox"/>	(2.1.1)	2300	<input type="checkbox"/>



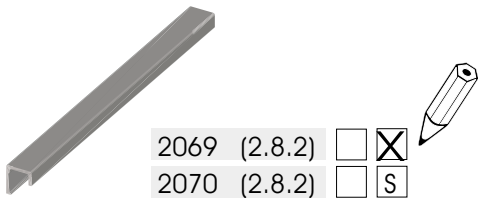
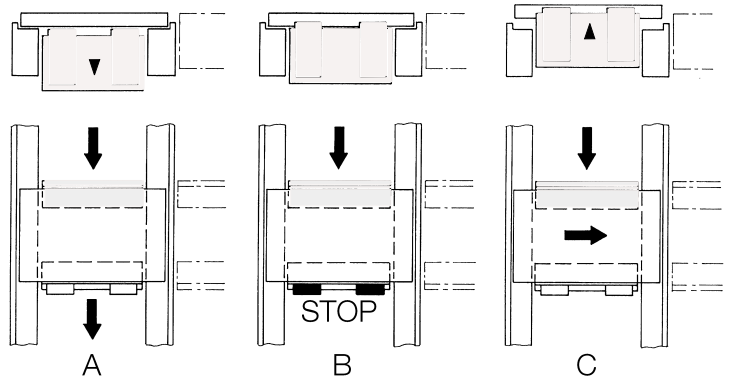
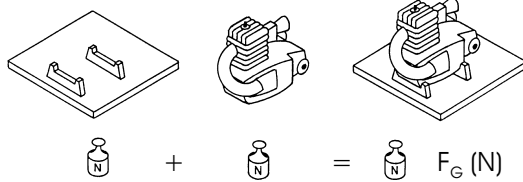
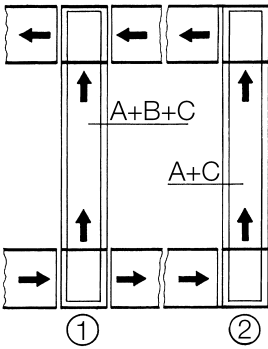
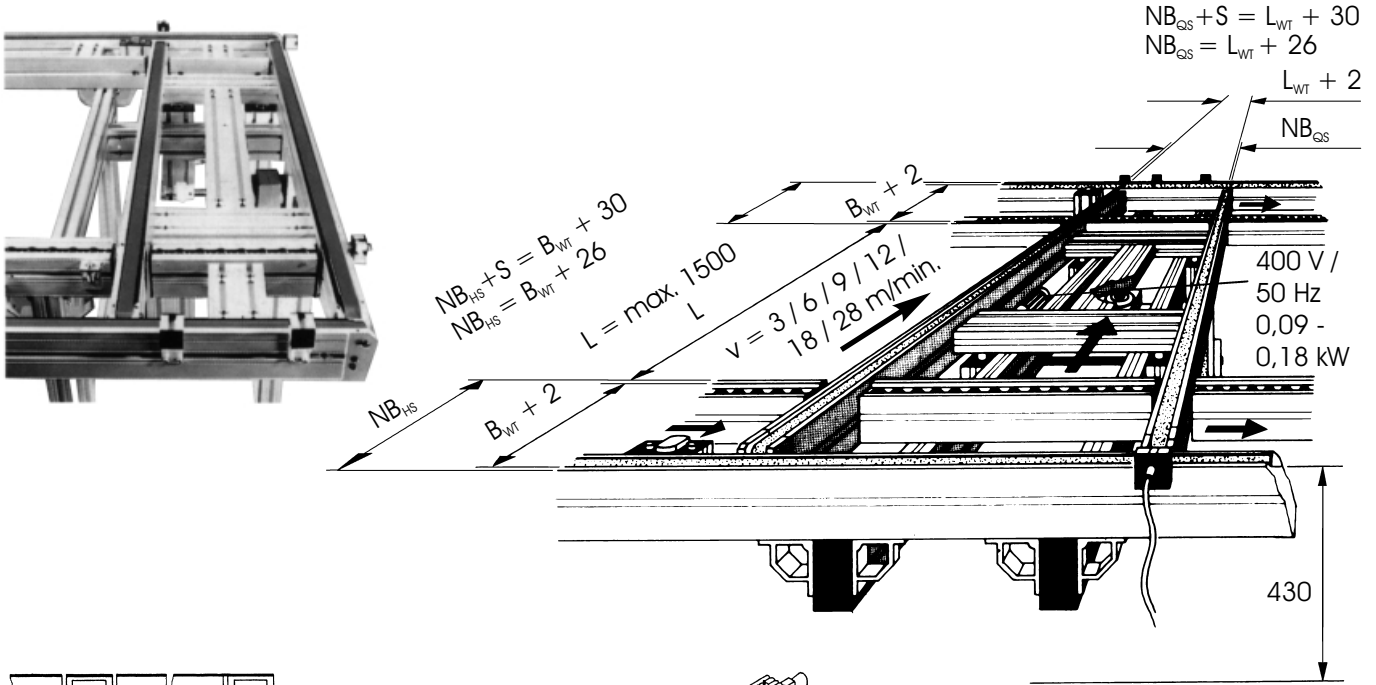
Querförderer zwischen zwei Hauptstrecken
Transverse conveyor between two longitudinal conveyors
Convoyeur transversale dans deux segments principale
Trasportatore trasversale tra due percorsi principali
Accionamiento transversal entre dos tramos principales



L_{WT}	mm	<input type="checkbox"/>	<input type="checkbox"/>	(2.1.1)	2310	<input type="checkbox"/>
B_{WT}	mm	<input type="checkbox"/>	<input type="checkbox"/>	(2.1.1)	2320	<input type="checkbox"/>
F_G	N	<input type="checkbox"/>	<input type="checkbox"/>	(2.1.1)	2330	<input type="checkbox"/>
L	mm	<input type="checkbox"/>	<input type="checkbox"/>	(2.1.1)	2330	<input type="checkbox"/>
v	m/min	<input type="checkbox"/>	<input type="checkbox"/>	(2.1.1)	2330	<input type="checkbox"/>



Querförderer zwischen zwei Hauptstrecken
Transverse conveyor between two longitudinal conveyors
Convoyeur transversale dans deux segments principale
Trasportatore trasversale tra due percorsi principali
Accionamiento transversal entre dos tramos principales



L_{WT}		mm	①	—	—	(2.1.1)	2240	<input type="checkbox"/>
B_{WT}		mm	①	⊕	—	(2.1.1)	2250	<input type="checkbox"/>
F_G		N	②	—	—	(2.1.1)	2260	<input type="checkbox"/>
L		mm	②	⊕	—	(2.1.1)	2270	<input type="checkbox"/>
v		m/min						