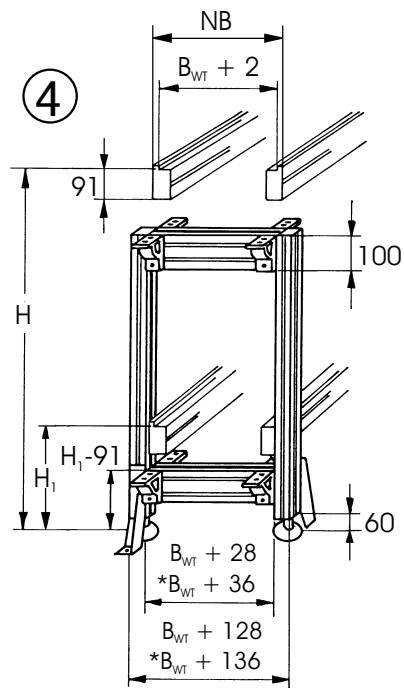
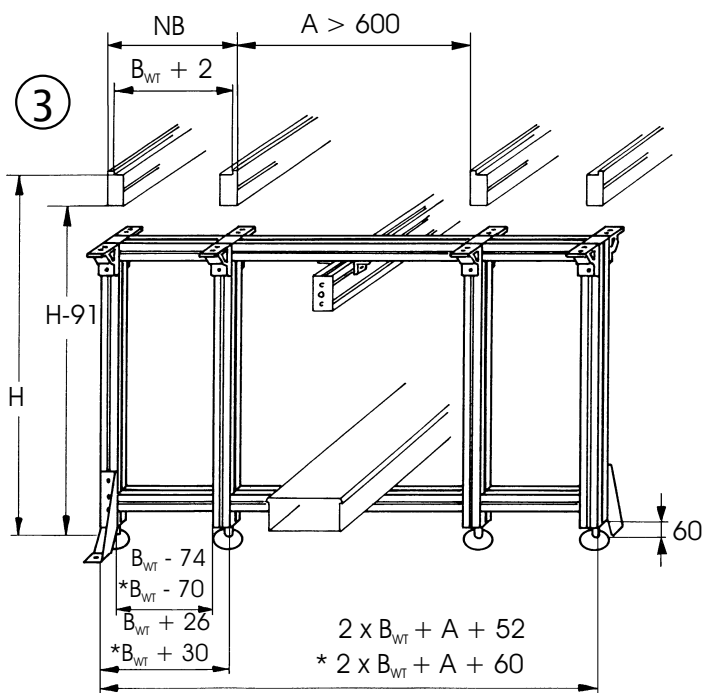
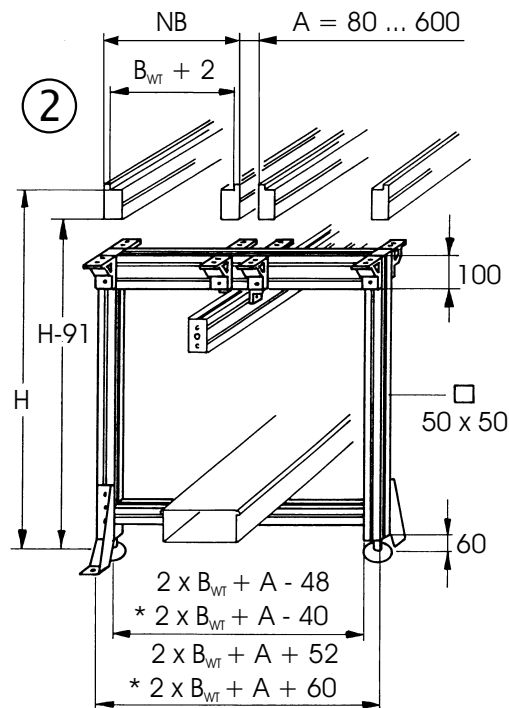
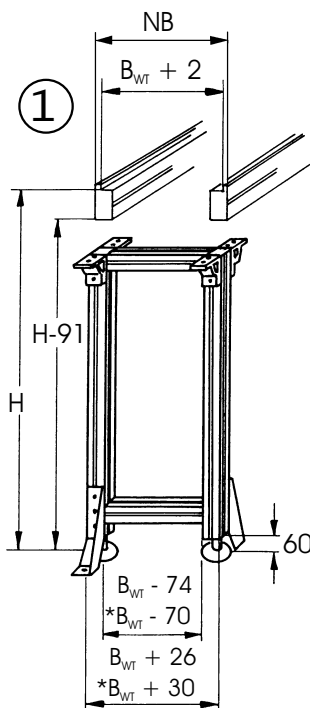
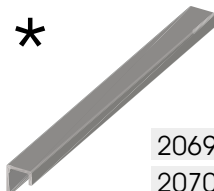




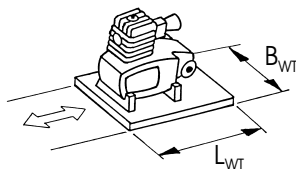
Stützen
Leg sets
Supports
Supporti
Apoyos



*



2069 (2.8.2)	<input type="checkbox"/>	<input checked="" type="checkbox"/>
2070 (2.8.2)	<input type="checkbox"/>	<input type="checkbox"/>



$NB = B_{WT} + 26$
 $*NB = B_{WT} + 30$



B _{WT}		mm
A		mm
H		mm
H ₁		mm

①	2010	<input type="checkbox"/>
②	2011	<input type="checkbox"/>
③	2012	<input type="checkbox"/>
④	2013	<input type="checkbox"/>