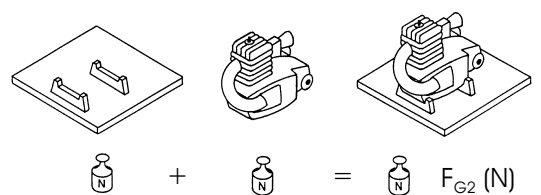
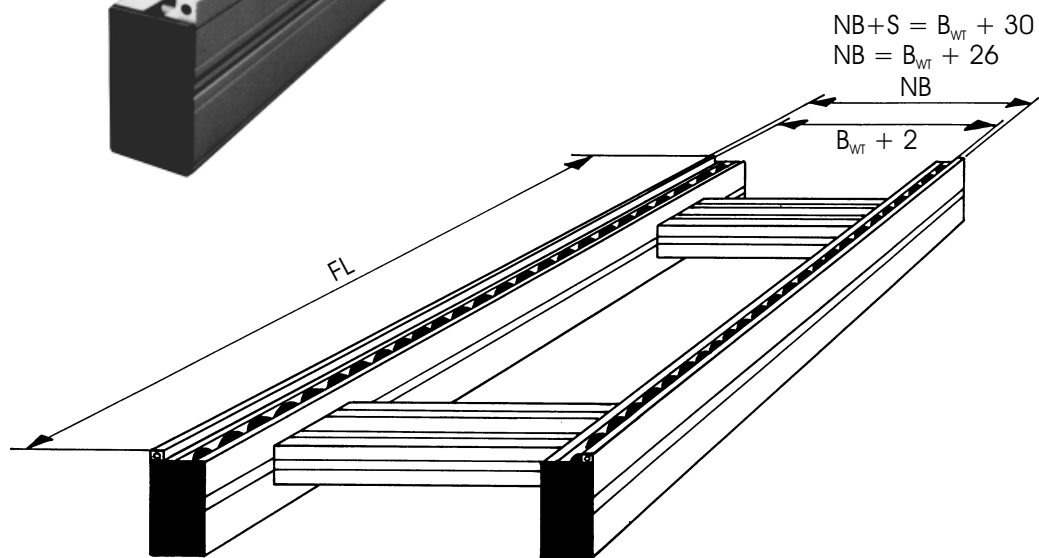
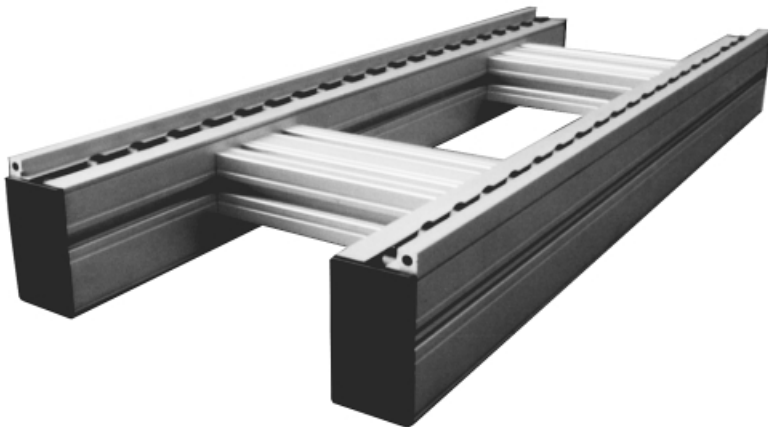
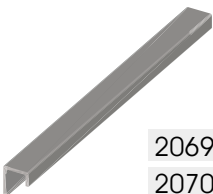
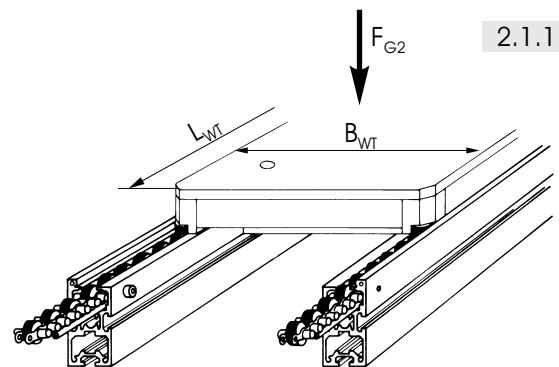




Röllchenstrecke ohne Antrieb
Roller-chain conveyor without drive
Segment à roulette sans entrainement
Percorso a rulli senza azionamento
Tramo de rodillos sin tracción



F_{G2} 2.1.1



2069 (2.8.2)	<input type="checkbox"/>	<input checked="" type="checkbox"/>
2070 (2.8.2)	<input type="checkbox"/>	<input type="checkbox"/>

L_{WT}		mm
B_{WT}		mm
F_{G2}		N
FL		mm