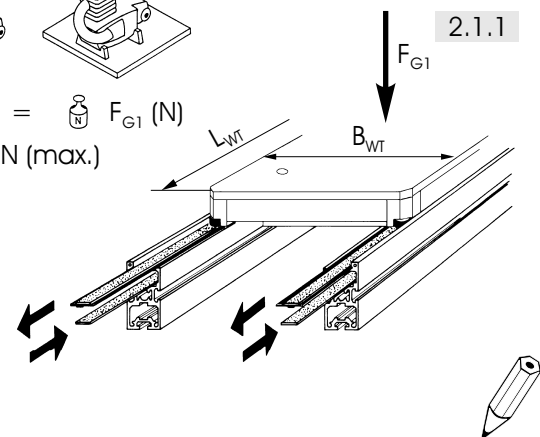
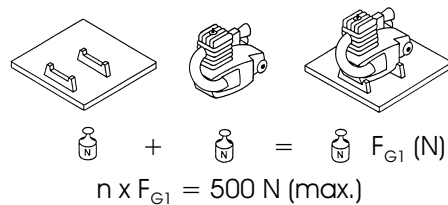
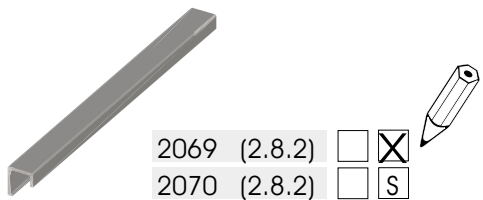
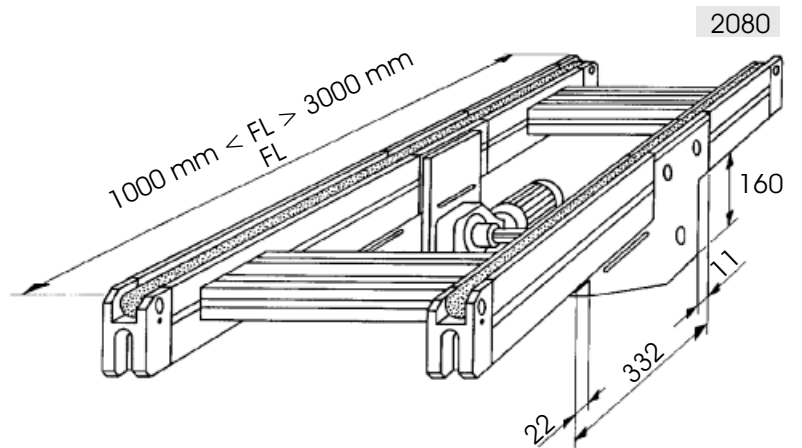
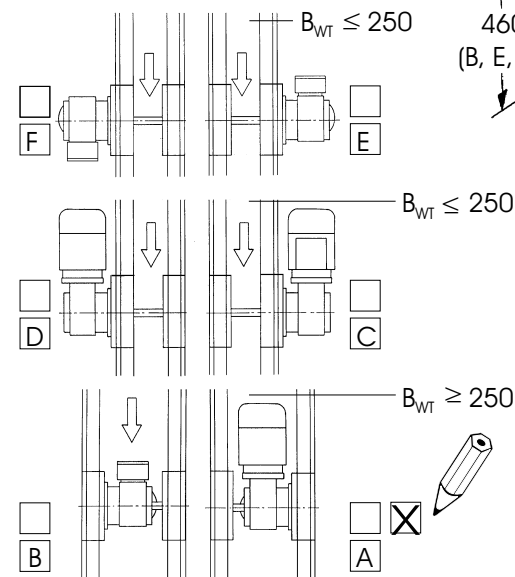
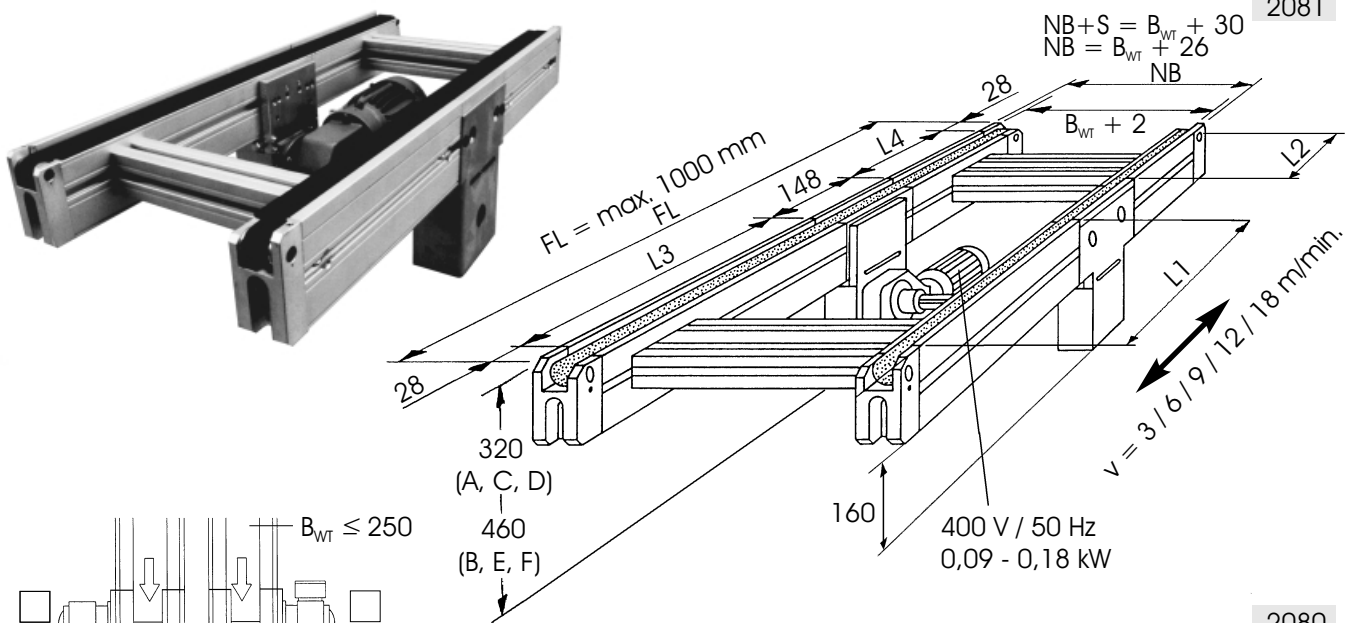




Doppelgurtförderer, leichte Baureihe
Double-belt conveyor for reduced loads
Convoyeur a bandes jumelées, gamme légère
Trasportatore a nastro doppio, Tipo di costruzione leggera
Accionamiento de doble banda, versión ligera

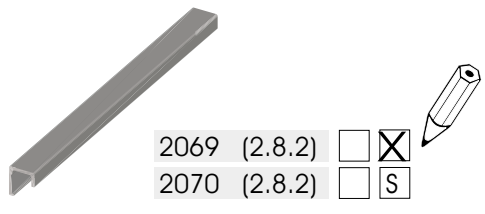
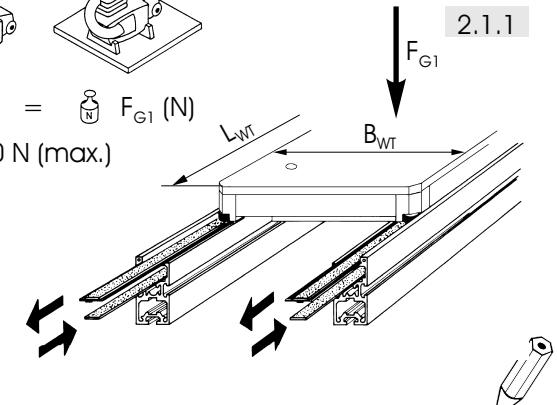
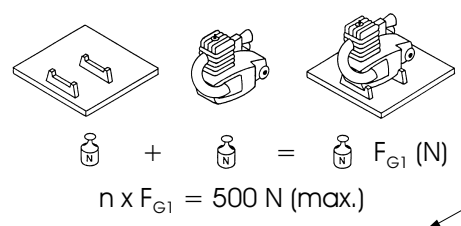
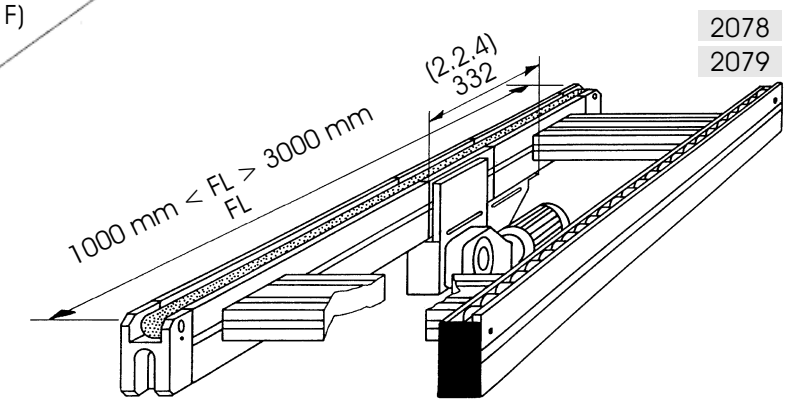
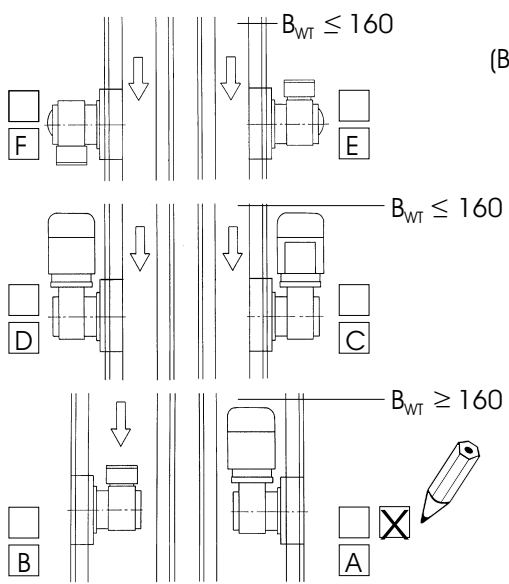
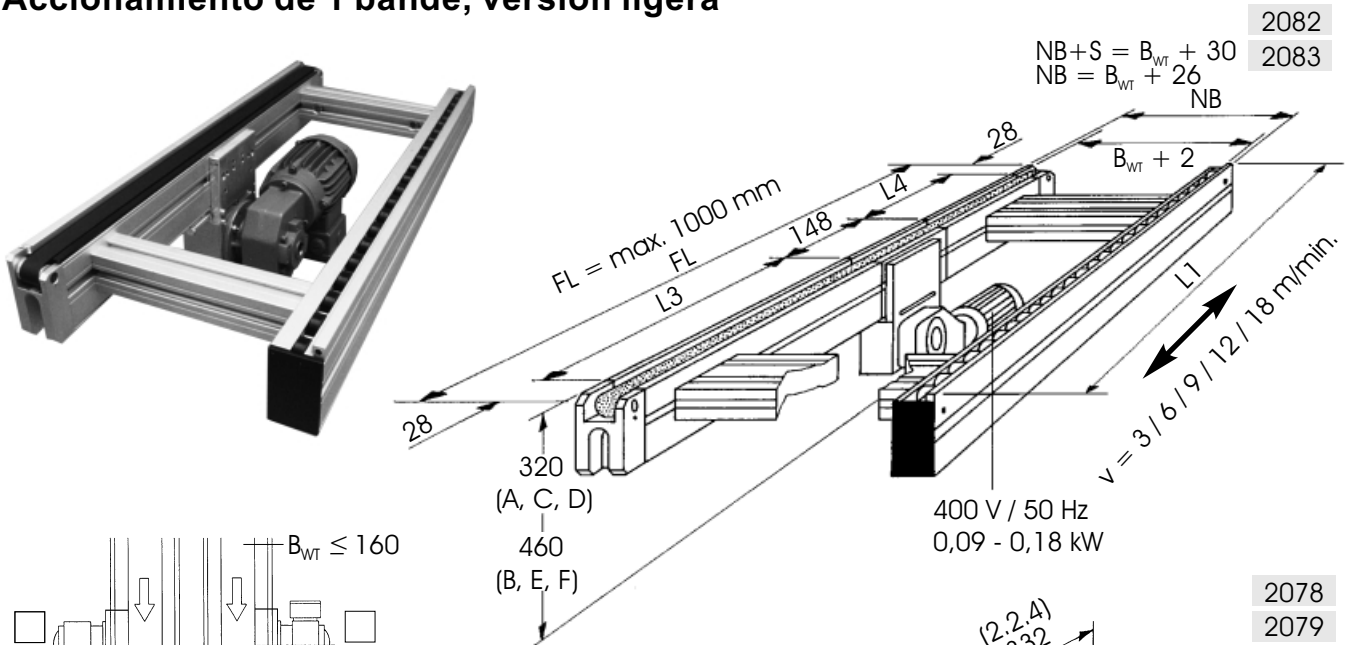


| | |
|---------------------|-------|
| L _{WT} | mm |
| B _{WT} | mm |
| F _{G1} | N |
| n x F _{G1} | N |
| FL | mm |
| L ₁ | mm |
| L ₂ | mm |
| L ₃ | mm |
| L ₄ | mm |
| v | m/min |

| | | |
|------------------------|-------------|--------------------------|
| 1000 mm < FL > 3000 mm | 2080 | <input type="checkbox"/> |
| FL = max. 1000 mm | 2081 | <input type="checkbox"/> |



Eingurtförderer, leichte Baureihe
Single-belt conveyor for reduced loads
Convoyeur à bande, gamme légère
Trasportatore a nastro semplice, Tipo di costruzione leggera
Accionamiento de 1 bande, versión ligera

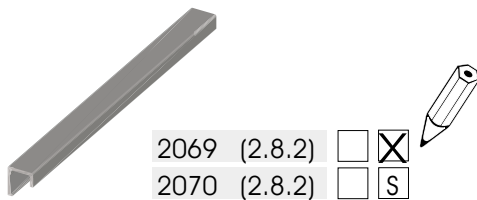
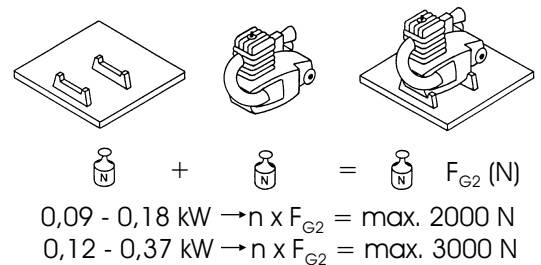
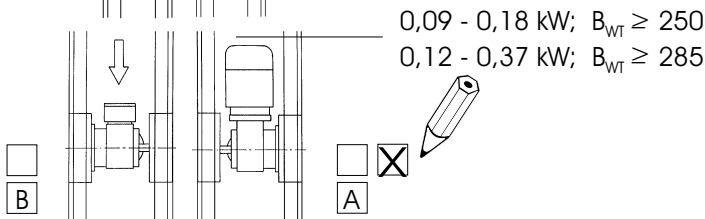
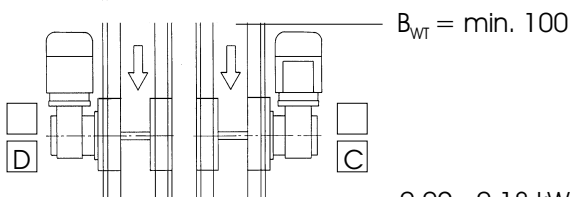
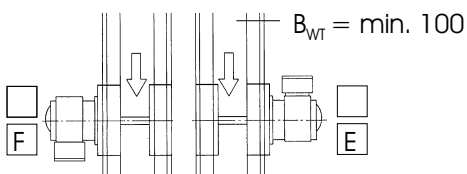
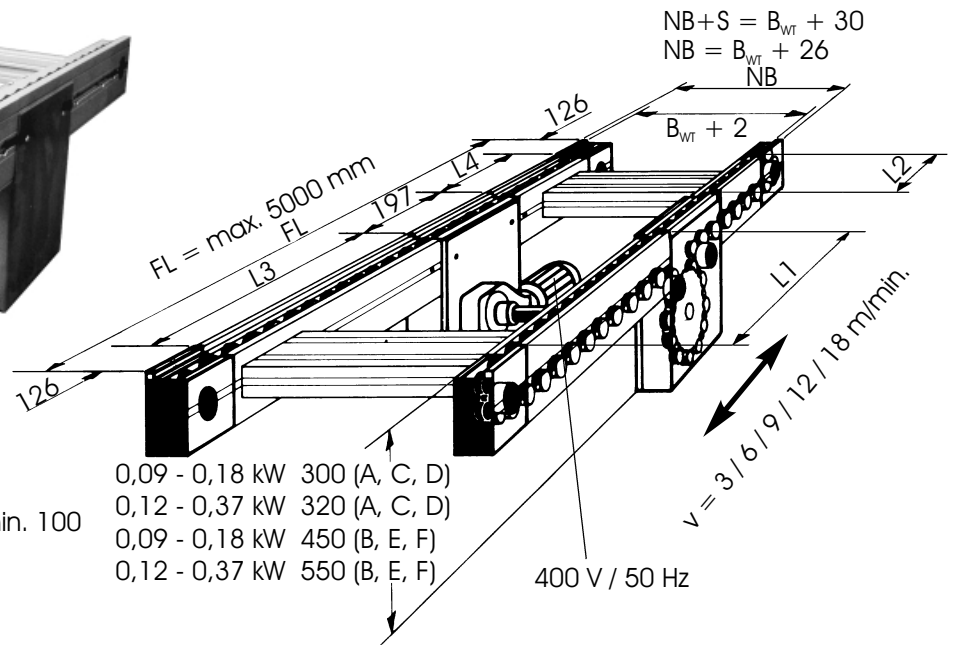
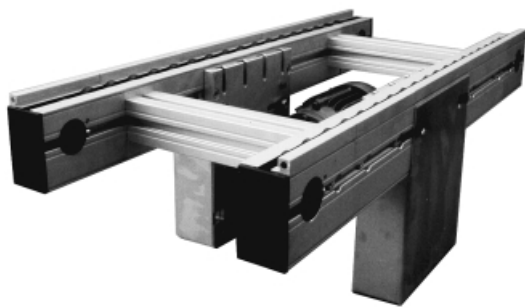


| | | |
|-------------------|--|-------|
| L_{WT} | | mm |
| B_{WT} | | mm |
| F_{G1} | | N |
| $n \times F_{G1}$ | | N |
| FL | | mm |
| L_1 | | mm |
| L_3 | | mm |
| L_4 | | mm |
| v | | m/min |

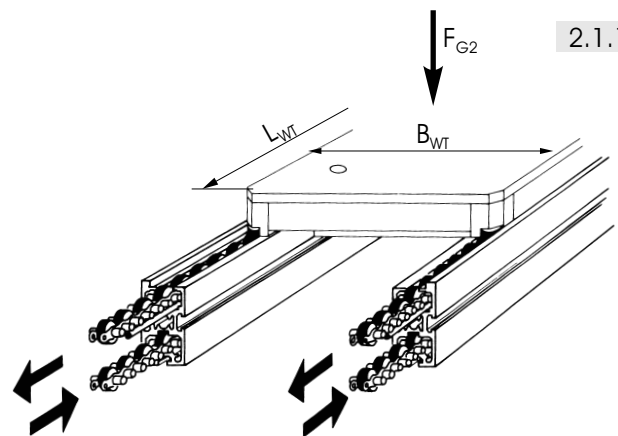
| | | | |
|--|------------------------|-------------|--------------------------|
| | 1000 mm < FL > 3000 mm | 2078 | <input type="checkbox"/> |
| | 1000 mm < FL > 3000 mm | 2079 | <input type="checkbox"/> |
| | FL = max. 1000 mm | 2082 | <input type="checkbox"/> |
| | FL = max. 1000 mm | 2083 | <input type="checkbox"/> |



Staurollenkettenträger, leichte Baureihe
Roller-chain conveyor for reduced loads
Chaîne Transporteur d'accumulation à rouleaux, gamme légère
Trasportatore con catena a rulli, Tipo di costruzione leggera
Accionamiento de doble cadena de rodillos, versión ligera



| | |
|-------------------|-------|
| L_{WT} | mm |
| B_{WT} | mm |
| F_{G2} | N |
| $n \times F_{G2}$ | N |
| FL | mm |
| L_1 | mm |
| L_2 | mm |
| L_3 | mm |
| L_4 | mm |
| v | m/min |



| | | |
|----------------|-------------|--------------------------|
| 0,09 - 0,18 kW | 2084 | <input type="checkbox"/> |
| 0,12 - 0,37 kW | 2085 | <input type="checkbox"/> |