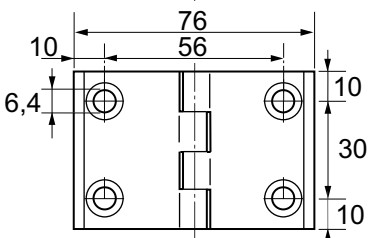
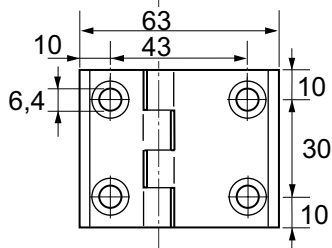
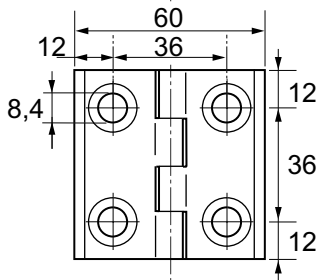
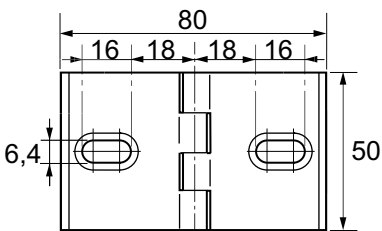
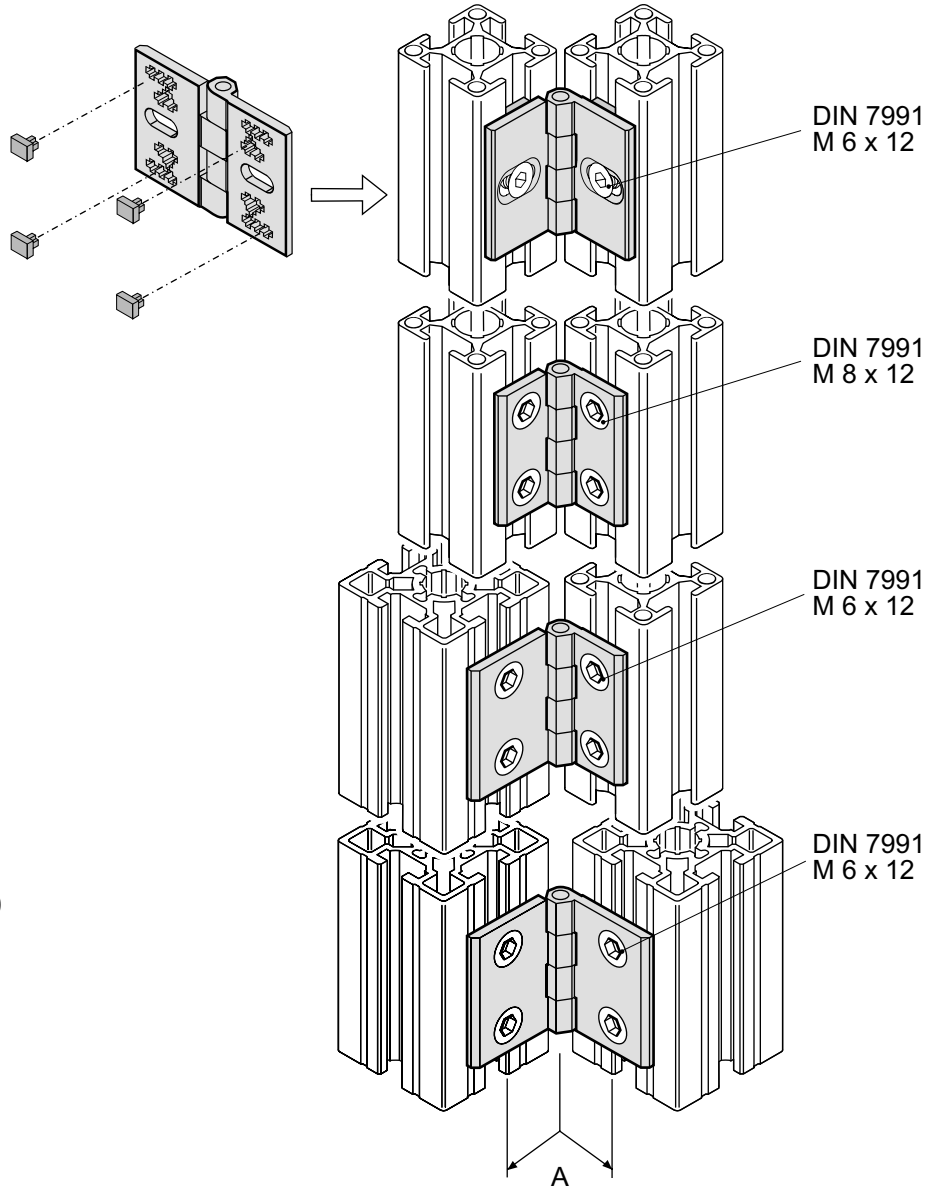




**Scharnier  
Hinge  
Charnière  
Cerniere  
Bisagra**



Scharnier  
Hinge  
Charnière  
Cerniere  
Bisagra

A = 36 - 62 mm	<b>8720</b>
A = 36 mm	<b>8976</b>
A = 43 mm	<b>8975</b>
A = 56 mm	<b>8974</b>

Zinkdruckguss, schwarz  
Pressure-diecast zinc, black  
Zinc moulé sous pression, noir  
Zinco pressofuso, nero  
Cinc fundido bajo presión, negro