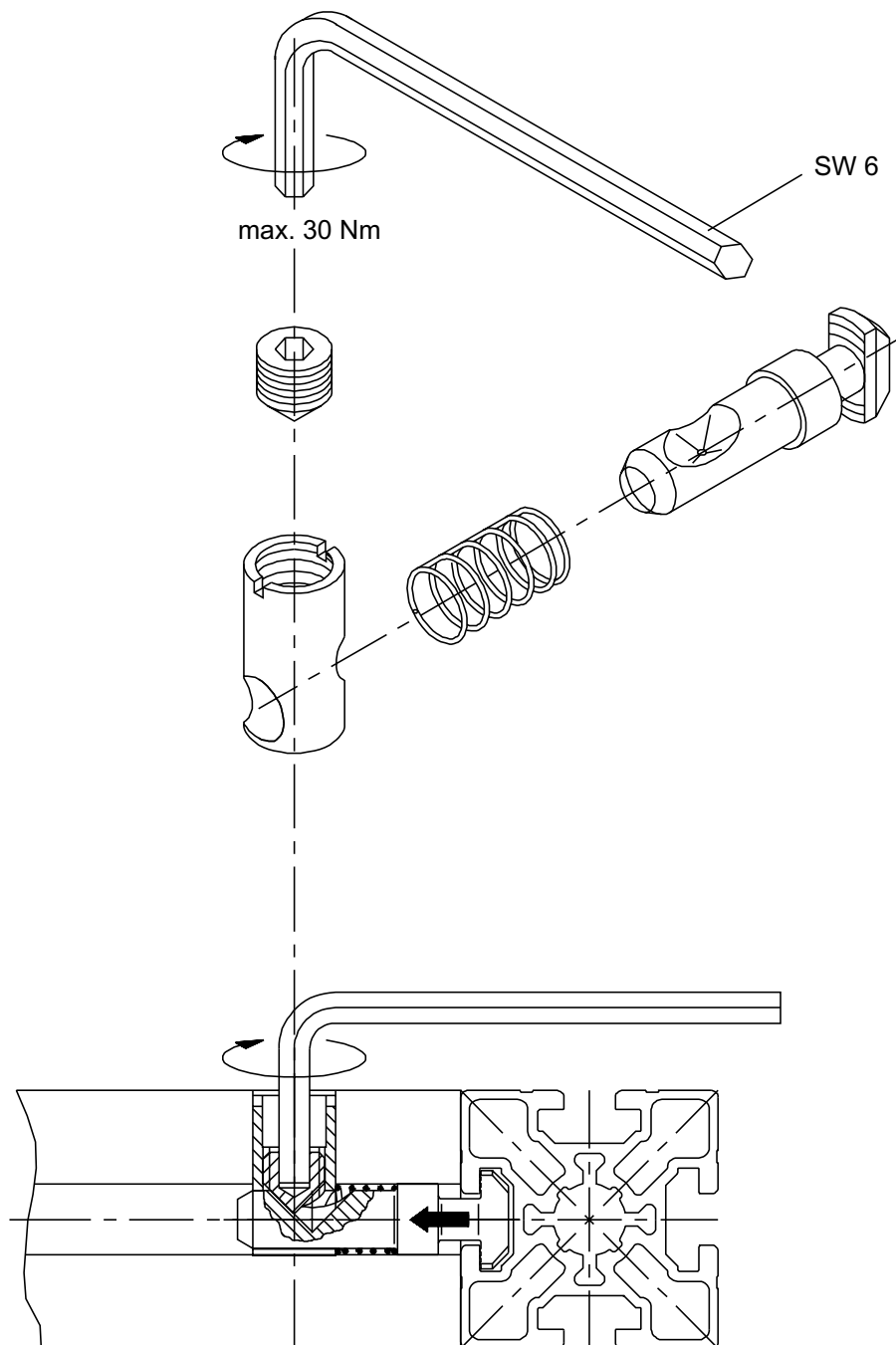


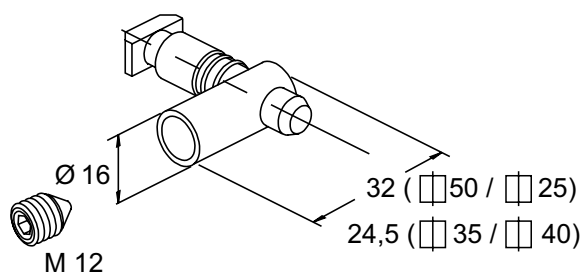
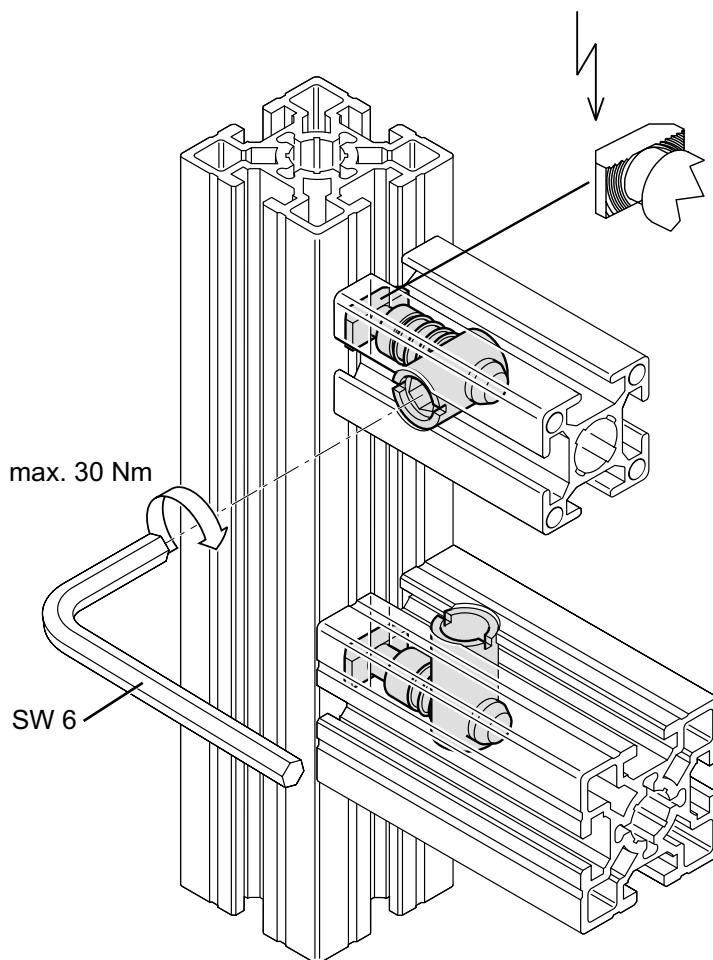


Standardverbinder, Funktionsprinzip
Standard connectors, function principle
Raccordo standard, vue d'ensemble du principe
Raccordi standard, descrizione di principio
Conexion standard, resumen del principio



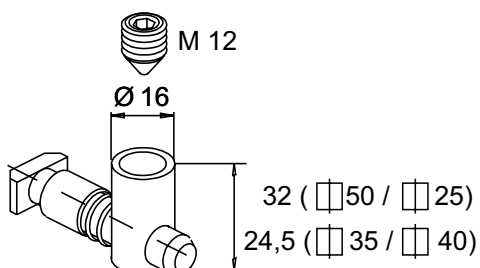


Standardverbinder
Standard connectors
Raccord standard
Raccordi standard
Conexion standard



Verbindergrundtyp, rechtwinklig
 Right-angle connector
 Raccord rectangulaire
 Raccordo di base rettangolare
 Conexion rectangular

□ 50 mm / □ 25 mm	8901
□ 35 mm / □ 40 mm	8911



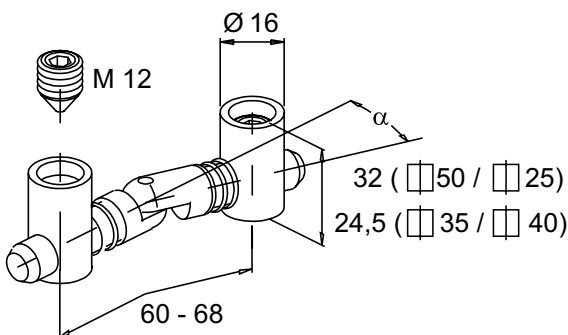
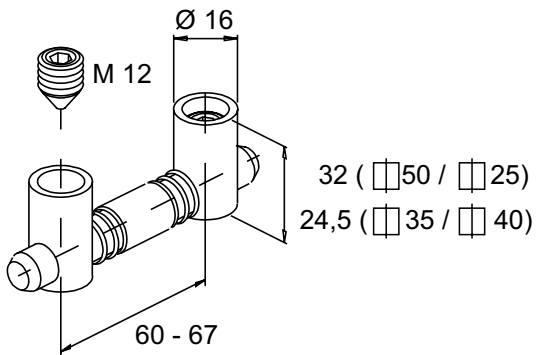
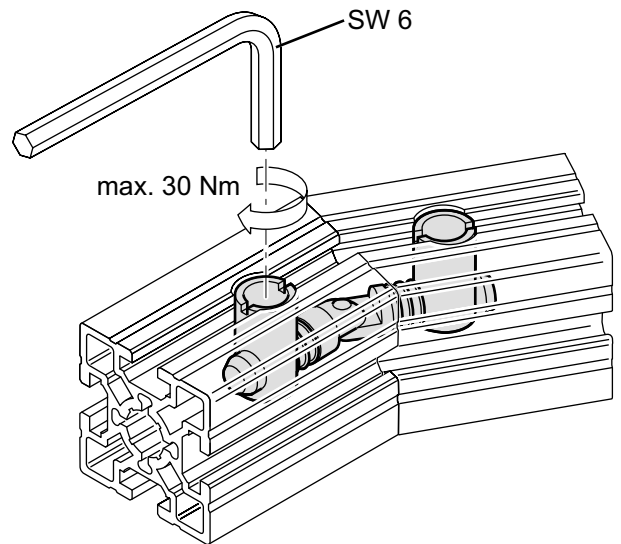
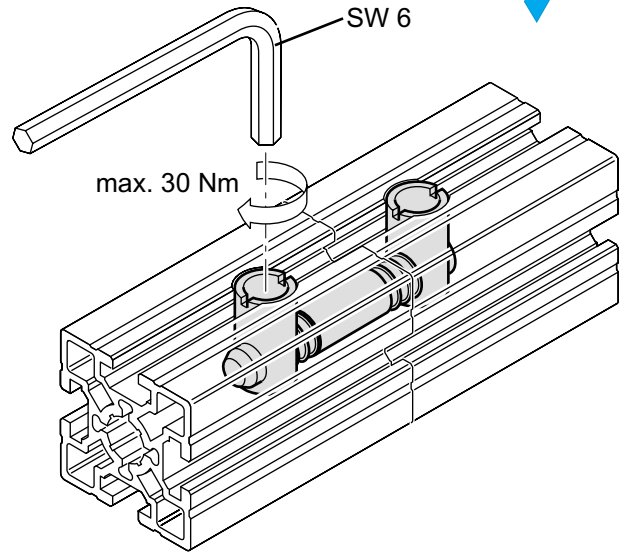
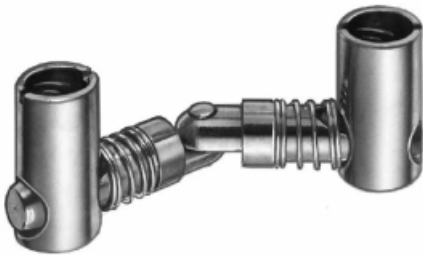
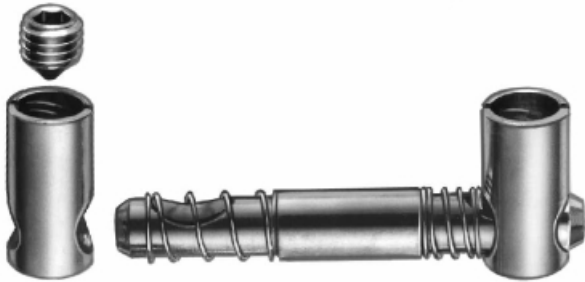
Verbindergrundtyp, T-Stück 90° verdreht
 Right-angle connector, "T"-head turned 90°
 Raccord rectangulaire, "T"-tete tournant 90°
 Raccordo di base rettangolare, pezzo a T girato a 90°
 Conexion rectangular, "T"-cabeza vuelta 90°

□ 50 mm / □ 25 mm	8902
□ 35 mm / □ 40 mm	8912

Stahl verzinkt / galvanized steel / acier zingué
 acciaio zincato / acero cincado



Standardverbinder
Standard connectors
Raccord standard
Raccordi standard
Conexion standard



Profilverlängerung, gerade
 Extender, straight
 Rallonge, droite
 Prolungamento del profilato diritto
 Prolongacion derecho

□ 50 mm / □ 25 mm	8909
□ 35 mm / □ 40 mm	8919

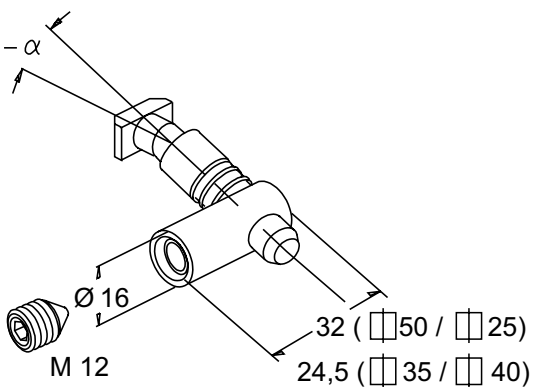
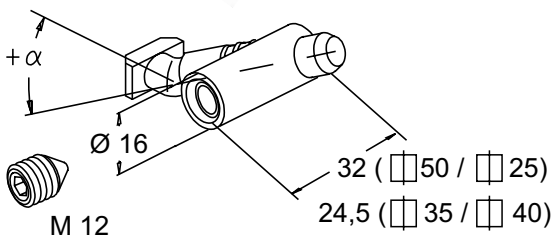
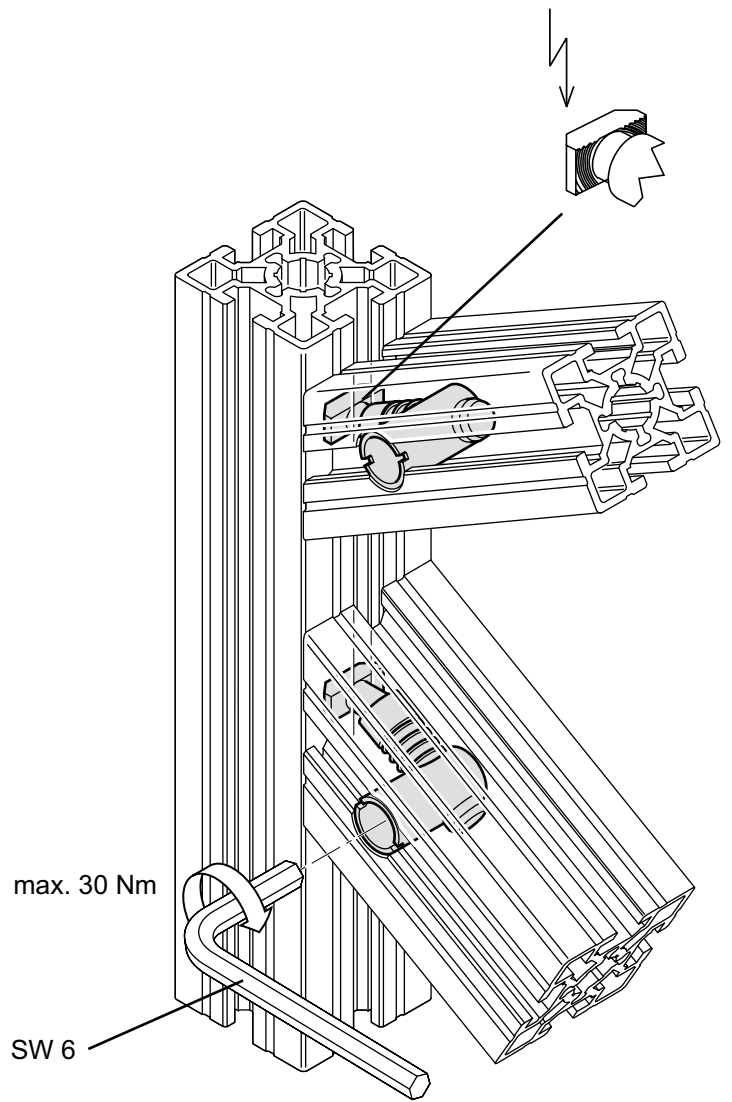
Profilverlängerung, variabel (a = 90°-270°)
 Extender, variable angles (a = 90°-270°)
 Rallonge, a angles varies (a = 90°-270°)
 Prolungamento del profilato angolo variabile (a = 90°-270°)
 Prolongacion para angulos varios (a = 90°-270°)

□ 50 mm / □ 25 mm	8910
□ 35 mm / □ 40 mm	8920

Stahl verzinkt / galvanized steel / acier zingué
 acciaio zincato / acero cincado



Standardverbinder
Standard connectors
Raccordo standard
Raccordi standard
Conexion standard



Schrägverbinder
Angled connectors
Raccordo incliné
Raccordi inclinati
Conexion inclinada

	□ 50 mm / □ 25 mm	□ 35 mm / □ 40 mm
= +15°	8903	8913
= +30°	8904	8914
= +45°	8905	8915
= -15°	8906	8916
= -30°	8907	8917
= -45°	8908	8918

Stahl verzinkt / galvanized steel / acier zingué
 acciaio zincato / acero cincado



Standardverbinder
Standard connectors
Raccordo standard
Raccordi standard
Conexion standard

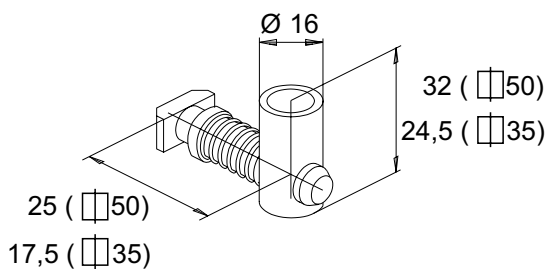
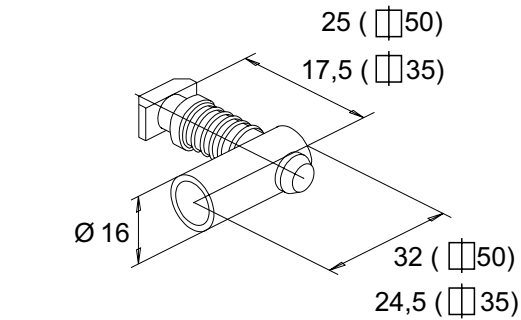
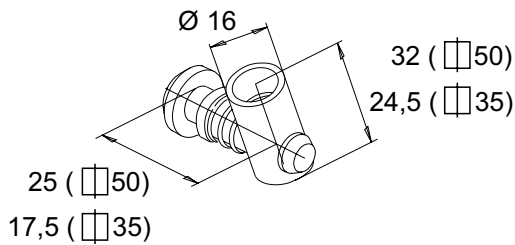


max. 30 Nm

SW 6

max. 30 Nm

SW 6



Parallelverbinder
 Parallel connector
 Raccordo parallelo
 Raccordo parallelo
 Conexion paralelo

□ 50 mm	8921
□ 35 mm	8922

Parallelverbinder, T-Kopf
 Parallel connector, "T"-head
 Raccordo parallelo, Tête en "T"
 Raccordo parallelo, testa a "T"
 Conexion paralelo, cabeza de "T"

□ 50 mm	8925
□ 35 mm	8927

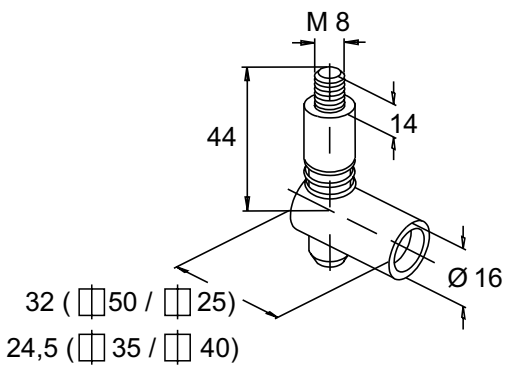
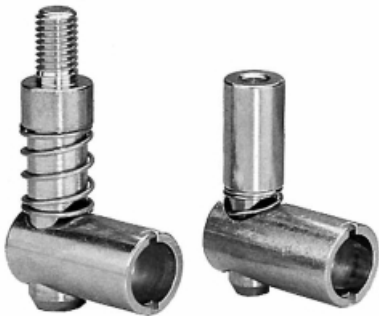
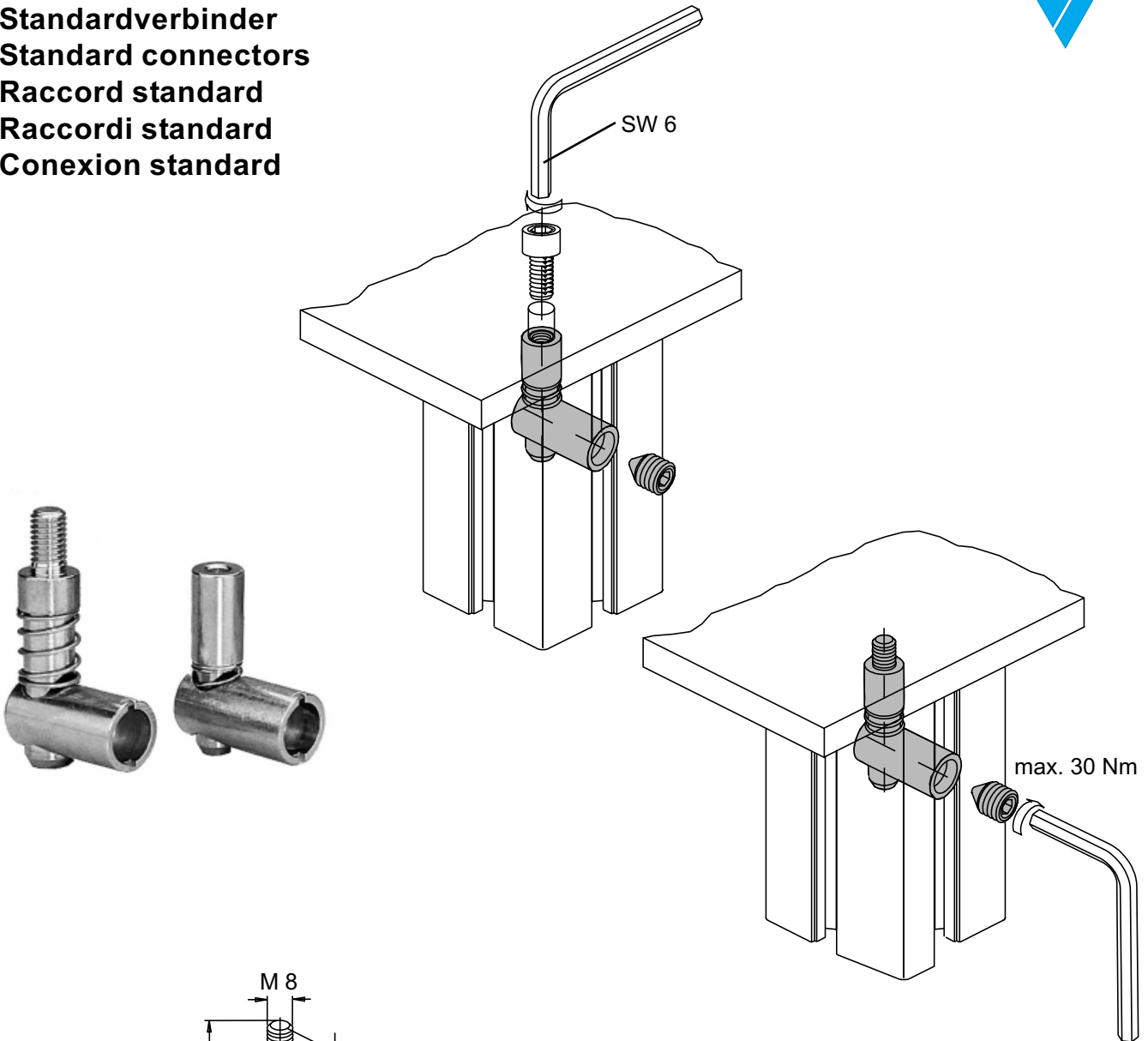
Parallelverbinder, T-Kopf, 90° verdreht
 Parallel connector, "T"-head, turned 90°
 Raccordo parallelo, Tête en "T", tournant 90°
 Raccordo parallelo, testa a "T", girato a 90°
 Conexion paralelo, cabeza de "T", vuelta 90°

□ 50 mm	8926
□ 35 mm	8928

Stahl verzinkt / galvanized steel / acier zingué
 acciaio zincato / acero cincado

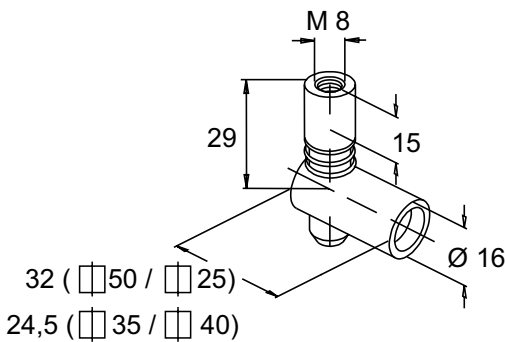


Standardverbinder
Standard connectors
Raccordo standard
Raccordi standard
Conexion standard



Außengewinde-Verbinder
 Connector with outside thread
 Raccord avec filet extérieur
 Raccordo con filetto esterno
 Conexion con rosca exterior

□ 50 mm / □ 25 mm	8923
□ 35 mm / □ 40 mm	8924



Innengewinde-Verbinder
 Connector with inside thread
 Raccord avec filet intérieur
 Raccordo con filetto interno
 Conexion con rosca interior

□ 50 mm / □ 25 mm	8892
□ 35 mm / □ 40 mm	8893

Stahl verzinkt / galvanized steel / acier zingué
 acciaio zincato / acero cincado